

Flange Code 61 Straight

6 Spiral Fittings

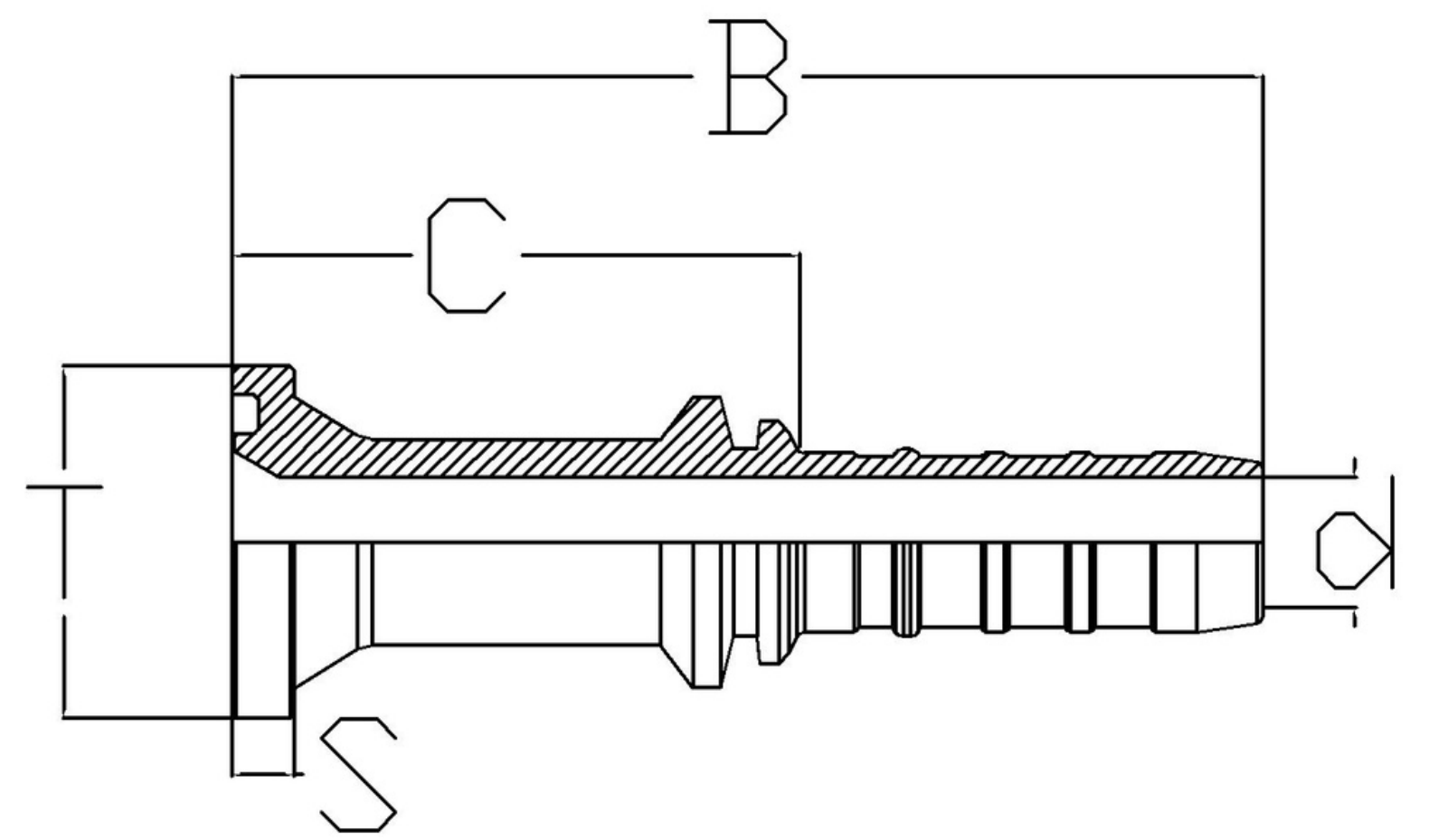
Standard - SAE 6162-1

3000 PSI CODE 61

O RING - NBR*

Used for hose type -

6 SPIRAL HOSES, R13, R15



Description	HOSE ID (Dash)	HOSE ID (inch)	Thread (T)	S	L	C	d	D
HS-2020-FL3-6SP	20	1 - 1/4	50.8	8	147	76	26	68
HS-3232-FL3-6SP	32	2	71.4	10	230	24	44	90

* O-Ring is not a part of the flange, it is ordered and invoiced separately.

Flange Code 61 bend 90/45 degree

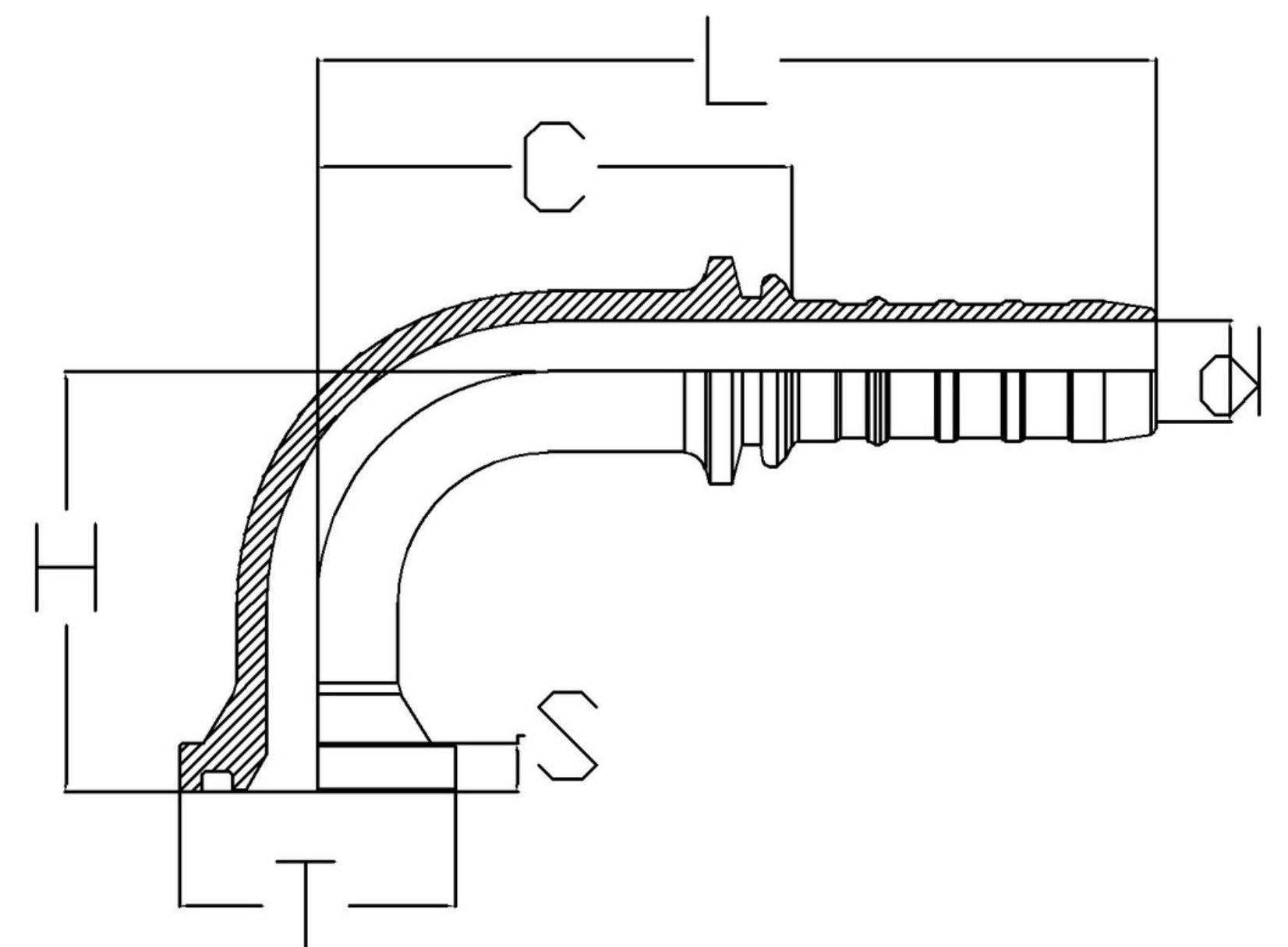
Standard - SAE 6162-1

3000 PSI CODE 61

O RING - NBR*

Used for hose type -

6 SPIRAL HOSES, R13, R15



Description	HOSE ID (Dash)	HOSE ID (inch)	Thread (T)	S	L	C	d	D	H
HS-2020-FL3-90-90-6SP	20	1 - 1/4	50.8	8	170	95	26	68	90
HS-3232-FL3-90-130-6SP	32	2	71.4	10	265	155	39	85	130
HS-3232-FL3-45-60-6SP	32	2	71.4	10	230	190	40	90	60

* O-Ring is not a part of the flange, it is ordered and invoiced separately.