

ORFS Female Straight

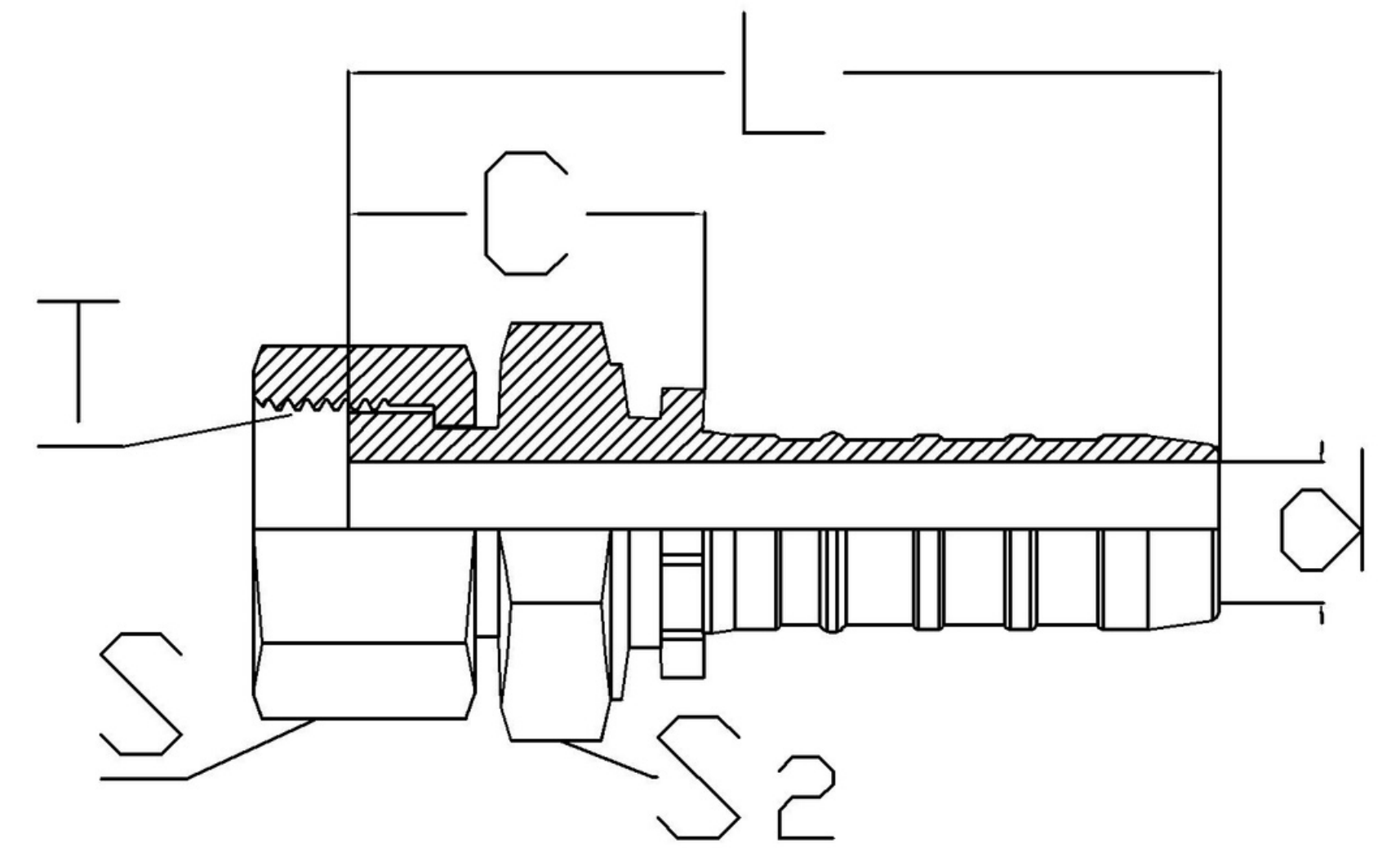
6 Spiral Fittings

Standard - ISO 8434-3

Cone - Flat face

Used for hose type -

6 SPIRAL HOSES, R13, R15



Description	HOSE ID (Dash)	HOSE ID (inch)	Thread (T)	S	L	C	d	D	S2
HS-2020-FO-6SP	20	1 - 1/4	1.11/16 12UN	50	128	57	26	68	50
HS-2424-FO-6SP	24	1 - 1/2	2-12UN	60	150	52	32	76	55

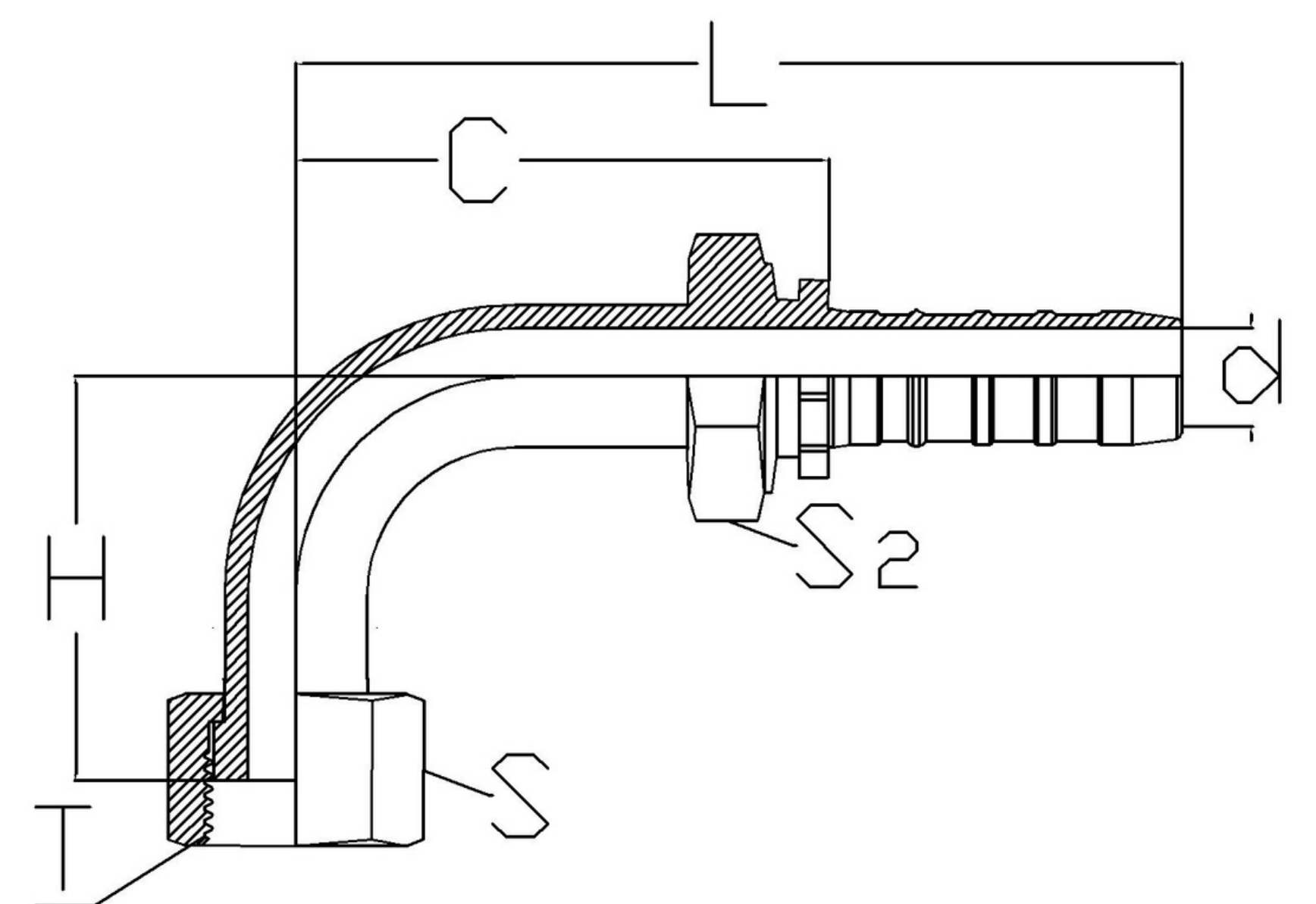
ORFS Female 90 degree bend

Standard - ISO 8434-3

Cone - Flat face

Used for hose type -

6 SPIRAL HOSES, R13, R15



Description	HOSE ID (Dash)	HOSE ID (inch)	Thread (T)	S	L	C	d	D	H	S2
HS-2020-FO-90-90-6SP	20	1 - 1/4	1.11/16 12UN	50	175	115	23	68	90	50
HS-2424-FO-90-100-6SP	24	1 - 1/2	2-12UN	60	230	135	27	76	100	55