

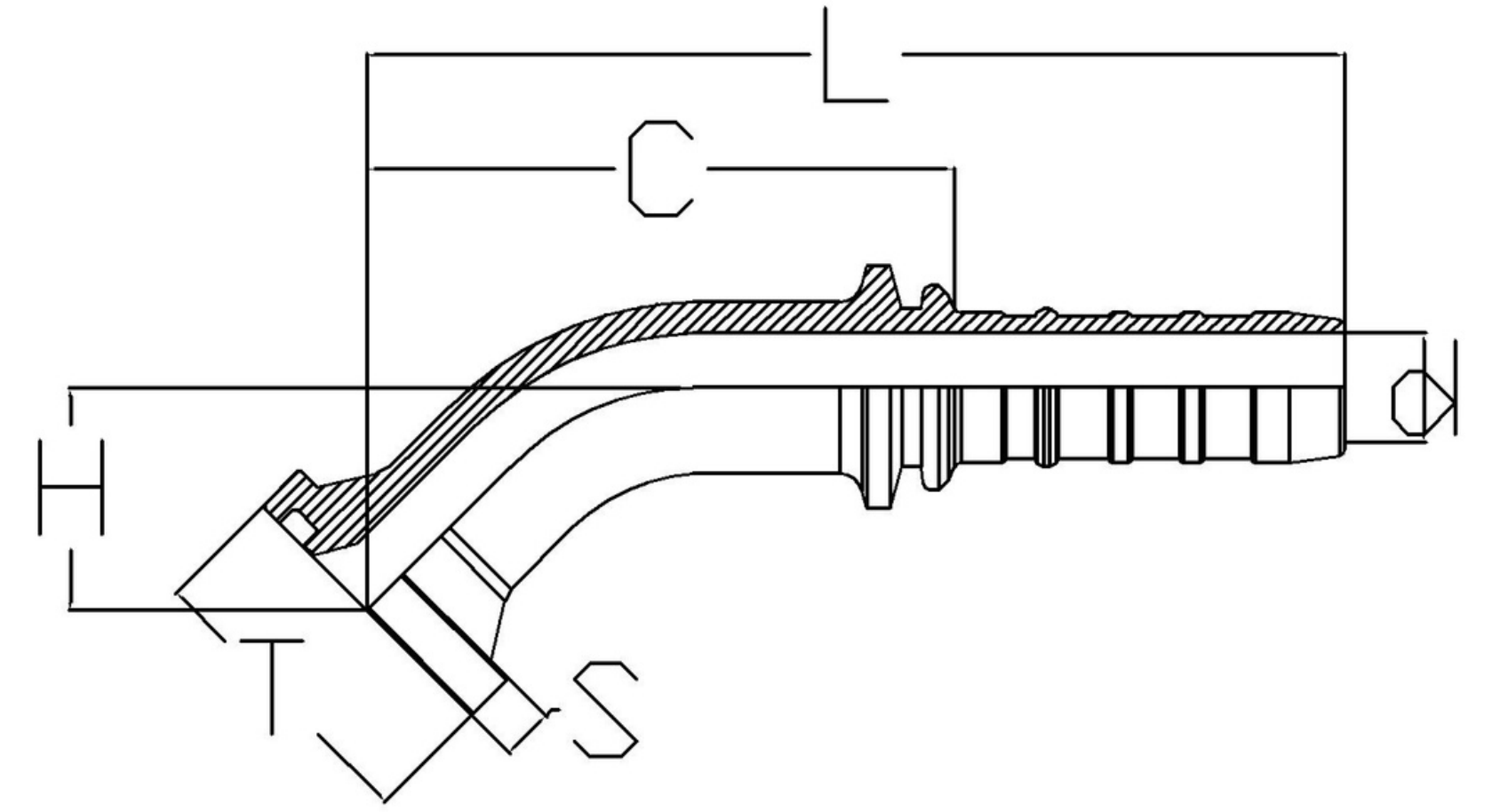
**Standard - SAE 6162-1**

6000 PSI CODE 62

**O RING - NBR\*\***

**Used for hose type -**

4SP,4SH, R12, R13\*, R15\*



DESCRIPTION	HOSE ID (DASH)	HOSE ID (inch)	Thread (T)	S	L	C	d	D	H
HS-0808-FL6-45-25	8	1/2	31.8	8	93	55	9	34	25
HS-1012-FL6-45-34	10	5/8	41.3	9	135	85	12	42	34
HS-1212-FL6-45-31	12	3/4	41.3	9	130	79	14	46	31
HS-1216-FL6-45-32	12	3/4	47.6	10	132	81	14	46	32
HS-1612-FL6-45-32	16	1	41.3	9	138	81	20	52	32
HS-1616-FL6-45-33	16	1	47.6	10	146	91	22	52	33
HS-1620-FL6-45-38	16	1	54.0	11	155	100	21	52	38
HS-2020-FL6-45-40	20	1 - 1/4	54.0	11	195	120	26	62	40
HS-2424-FL6-45-49	24	1 - 1/2	63.5	13	215	140	29	72	49
HS-3232-FL6-45-67	32	2	79.4	13	250	170	39	85	67

\*\* O-Ring is not a part of the flange, it is ordered and invoiced separately.

\* R13, R15 are only upto 1" size (for higher sizes go to section 6 spiral fittings)