

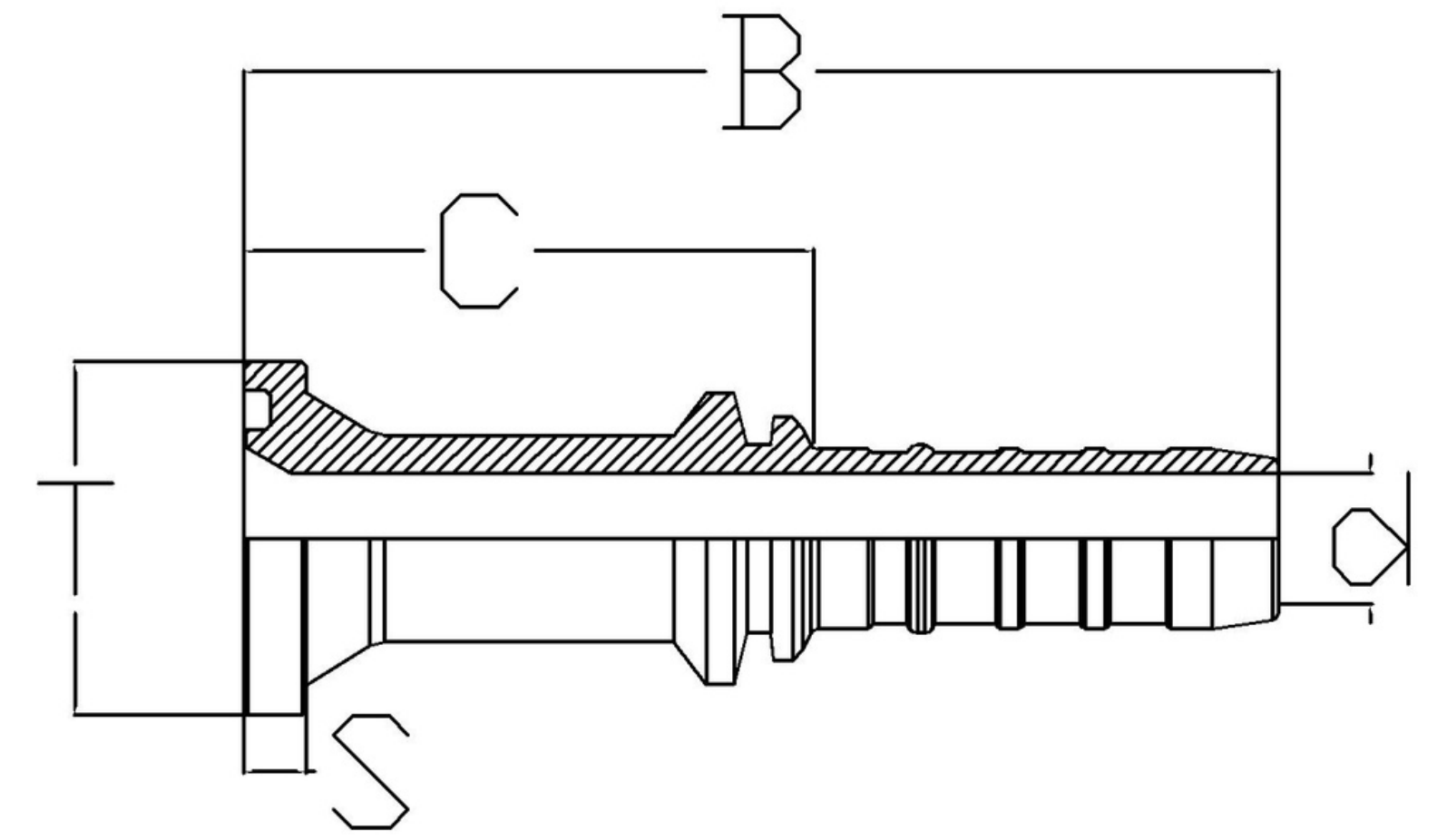
Standard - SAE 6162-1

6000 PSI CODE 62

O RING - NBR**

Used for hose type -

4SP, 4SH, R12, R13*, R15*



DESCRIPTION	HOSE ID (DASH)	HOSE ID (inch)	Thread (T)	S	L	C	d	D
HS-0808-FL6	8	1/2	31.8	8	95	57	11	34
HS-1008-FL6	10	5/8	31.8	8	103	53	12	42
HS-1012-FL6	10	5/8	41.3	9	111	61	12	42
HS-1212-FL6	12	3/4	41.3	9	112	62	15	46
HS-1216-FL6	12	3/4	47.6	10	115	65	15	46
HS-1612-FL6	16	1	41.3	9	126	68	15	52
HS-1616-FL6	16	1	47.6	10	126	69	21	52
HS-1620-FL6	16	1	54	11	127	69	21	52
HS-2016-FL6	20	1 - 1/4	47.6	10	134	62	26	62
HS-2020-FL6	20	1 - 1/4	54	11	147	76	26	62
HS-2024-FL6	20	1 - 1/4	63.5	13	152	81	32	62
HS-2420-FL6	24	1 - 1/2	54	11	150	75	32	72
HS-2424-FL6	24	1 - 1/2	63.5	13	170	95	34	72
HS-2432-FL6	24	1 - 1/2	79.4	13	155	82	33	72
HS-3232-FL6	32	2	79.4	13	182	89	43	85

** O-Ring is not a part of the flange, it is ordered and invoiced separately.

* R13, R15 are only upto 1" size (for higher sizes go to section 6 spiral fittings)