

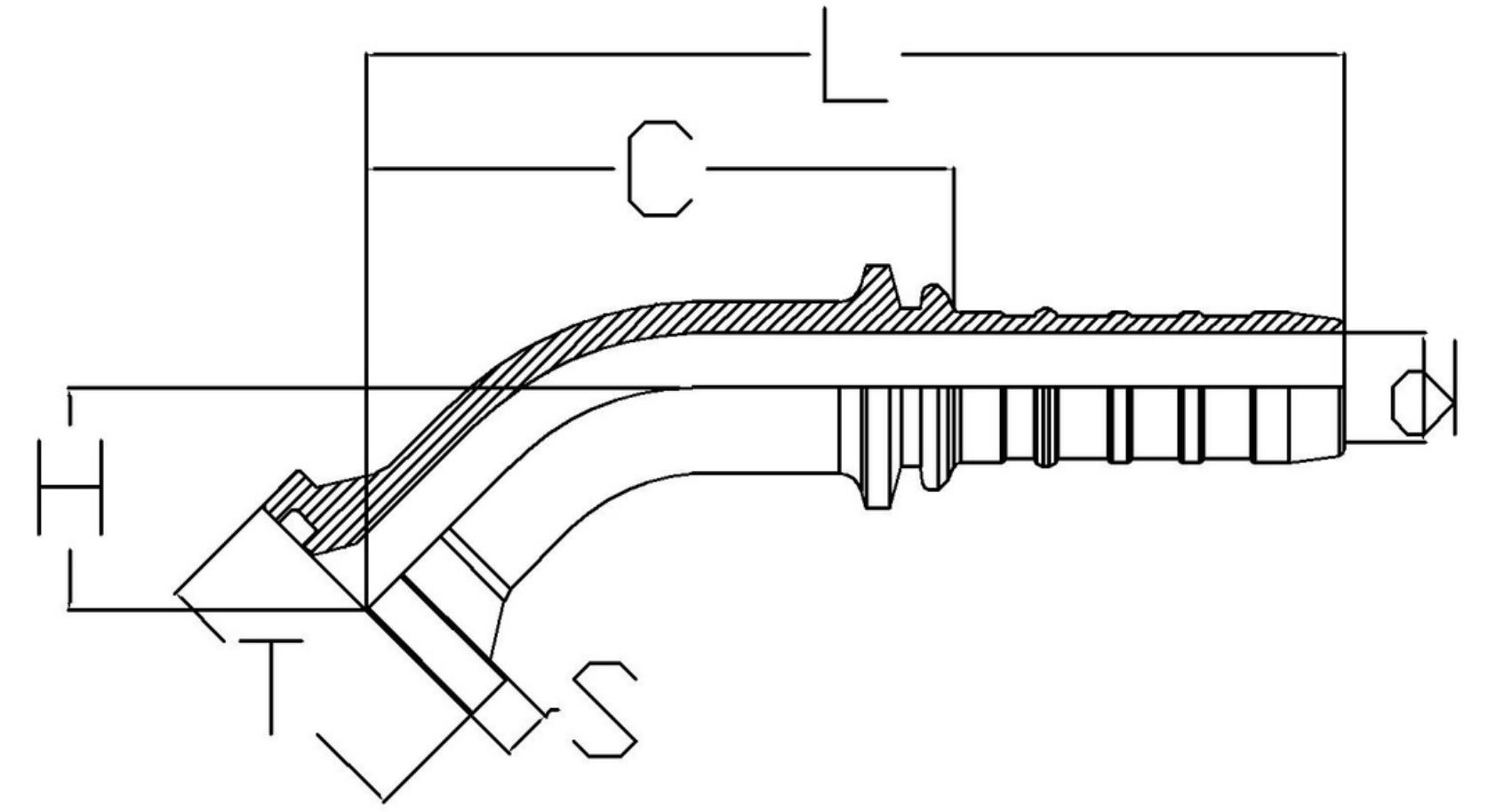
**Standard - SAE 6162-1**

3000 PSI CODE 61

**O RING - NBR\*\***

**Used for hose type -**

4SP,4SH, R12, R13\*, R15\*



DESCRIPTION	HOSE ID (DASH)	HOSE ID (inch)	Thread (T)	S	L	C	d	D	H
HS-0808-FL3-45-24	8	1/2	30.2	7	91	54	9	34	24
HS-0812-FL3-45-26	8	1/2	38.1	7	99	62	9	34	26
HS-1008-FL3-45-23	10	5/8	30.2	7	120	69	12	42	23
HS-1012-FL3-45-35	10	5/8	38.1	7	155	106	12	42	35
HS-1212-FL3-45-27	12	3/4	38.1	7	126	76	14	46	27
HS-1216-FL3-45-31	12	3/4	44.5	8	131	81	14	46	31
HS-1612-FL3-45-31	16	1	38.1	7	137	81	20	52	31
HS-1616-FL3-45-33	16	1	44.5	8	142	85	21	52	33
HS-1620-FL3-45-36	16	1	50.8	8	149	92	20	52	36
HS-2016-FL3-45-39	20	1 - 1/4	44.5	8	170	99	32	62	39
HS-2020-FL3-45-38	20	1 - 1/4	50.8	8	190	105	27	62	38
HS-2024-FL3-45-47	20	1 - 1/4	60.3	8	197	126	32	62	47
HS-2424-FL3-45-42	24	1 - 1/2	60.3	8	190	116	28	72	42
HS-2432-FL3-45-50	24	1 - 1/2	71.4	10	230	160	32	72	50
HS-3224-FL3-45-47	32	2	60.3	8	222	131	44	85	47
HS-3232-FL3-45-68	32	2	71.4	10	265	173	44	85	68
HS-3232-FL3-30-30	32	2	71.4	10	215	123	42	85	30

\*\* O-Ring is not a part of the flange, it is ordered and invoiced separately.

\* R13, R15 are only upto 1" size (for higher sizes go to section 6 spiral fittings)