

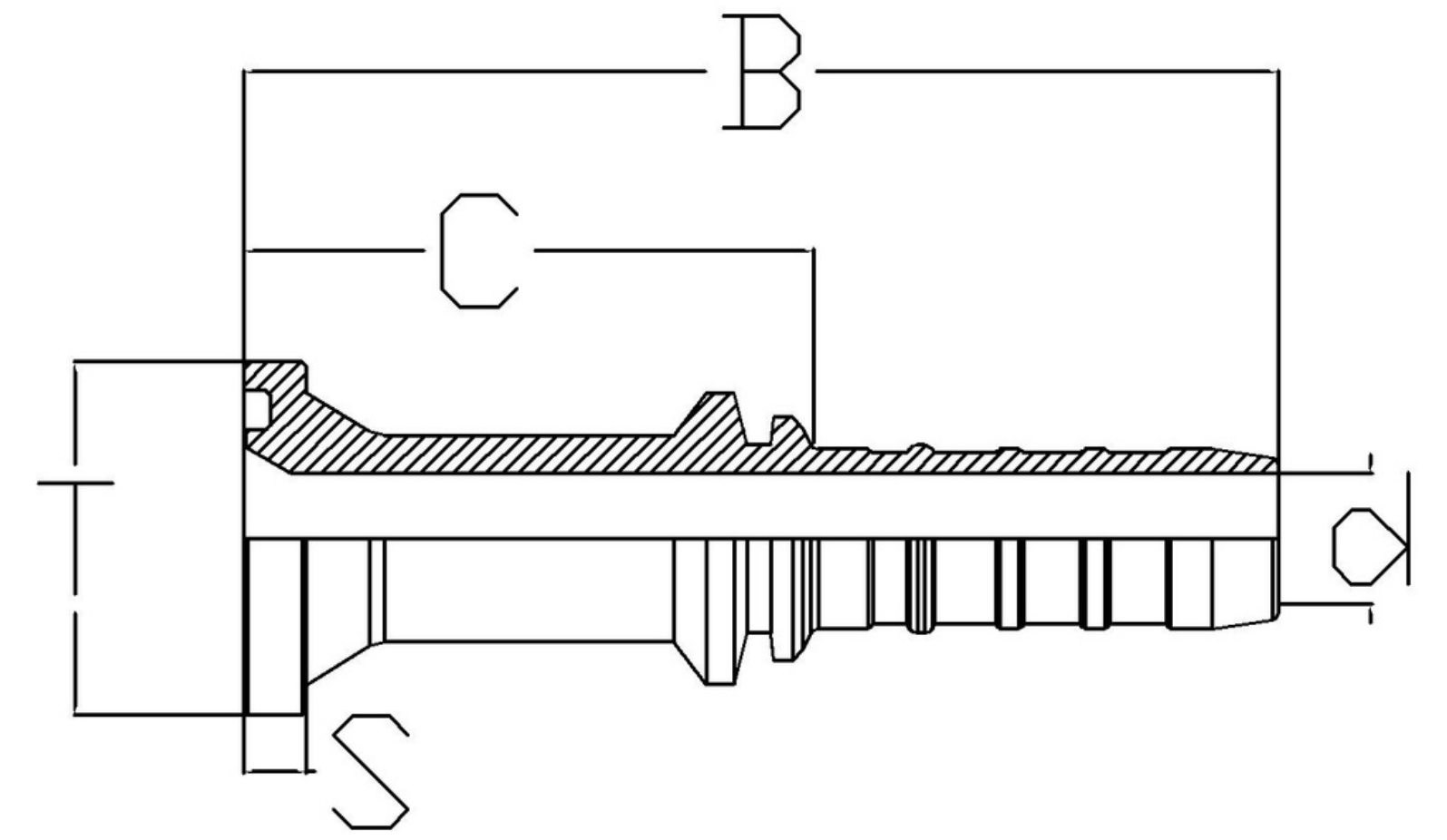
Standard - SAE 6162-1

3000 PSI CODE 61

O RING - NBR**

Used for hose type -

4SP, 4SH, R12, R13*, R15*



DESCRIPTION	HOSE ID (DASH)	HOSE ID (inch)	Thread (T)	S	L	C	d	D
HS-0808-FL3	8	1/2	30.2	7	93	55	9	34
HS-0812-FL3	8	1/2	38.1	7	87	49	10	34
HS-1008-FL3	10	5/8	30.2	7	102	52	12	42
HS-1012-FL3	10	5/8	38.1	7	110	60	12	42
HS-1212-FL3	12	3/4	38.1	7	111	61	15	46
HS-1216-FL3	12	3/4	44.5	8	112	62	15	46
HS-1612-FL3	16	1	38.1	7	126	68	15	52
HS-1616-FL3	16	1	44.5	8	126	69	20	52
HS-1620-FL3	16	1	50.8	8	127	69	21	52
HS-2016-FL3	20	1 - 1/4	44.5	8	132	61	26	62
HS-2020-FL3	20	1 - 1/4	50.8	8	147	75	26	62
HS-2024-FL3	20	1 - 1/4	60.3	8	150	80	32	62
HS-2424-FL3	24	1 - 1/2	60.3	8	165	95	33	72
HS-2432-FL3	24	1 - 1/2	71.4	10	175	100	33	72
HS-3224-FL3	32	2	60.3	8	170	81	32	85
HS-3232-FL3	32	2	71.4	10	160	69	43	85
HS-3232-FL3-LONG	32	2	71.4	10	180	89	43	85
HS-3240-FL3	32	2	84.1	10	180	88	44	85

** O-Ring is not a part of the flange, it is ordered and invoiced separately.

* R13, R15 are only upto 1" size (for higher sizes go to section 6 spiral fittings)